



SIMPLY PERFECT

The perfect entertainment system for today's home

ZR-6 6 SOURCE, 6 ZONE AUDIO MULTIZONE RECEIVER WITH BUILT-IN AM/FM TUNER AND iPod® INTEGRATION

KEY FEATURES

- **Six-Source, Six-Zone MultiZone Receiver** The ZR-6 MultiZone Receiver independently distributes up to six audio sources to up to six zones to provide high-quality entertainment throughout the home.
- **Plug-and-Play iPod® Integration** With a simple connection, the music on your iPod can easily be enjoyed throughout your home.
- **Metadata Displays** The LCD display on the Solo®-6MD keypad (sold separately) provides the valuable song, track, and artist information (metadata) you need to operate today's menu-based digital sources.
- **Built-In AM/FM Tuner** A digital tuner with 20 preset stations is built right into the ZR-6 MultiZone Receiver, so it can play music out of the box without additional components and wiring.
- **One-Touch To Entertainment™** A simple press of a button is all that's needed to fill your entire home with music.
- **Expandable to 18 Zones** Need more zones? Simply add one or two more ZR-6 MultiZone Receivers to create systems with twelve to eighteen zones.
- **Quality—Inside and Out** For over thirty years, the Niles brand has been synonymous with quality and performance.
- **High-Performance Digital Amplifier** Our advanced digital amplifier delivers 50 watts to each zone with excellent sound quality. It's a 4-ohm stable design, so up to four speakers can be installed in a single zone.
- **Complete Wireless Control** The included hand-held remote automates and controls the connected audio sources, plus a local TV and an additional source such as a cable box or satellite receiver.
- **True System-Wide Audio Paging** The ZR-6 MultiZone Receiver has circuitry that automatically mutes the audio and plays doorbell chimes and telephone pages through the system's loudspeakers (doorbell chimes require the Niles DBI-1 interface).
- **Custom-Tailored Sound** With separate bass, treble, and variable loudness adjustments on each keypad, each zone is easily calibrated for high quality sound and for balanced acoustics from room to room.

FEATURES

ZR-6

6 Source, 6 Zone Audio MultiZone Receiver with Built-In AM/FM Tuner and iPod Integration

Includes rack mount ears, a R-8L hand-held learning remote control and an iPod connection cable.

Model	Stock Number
Standard	FG01433
Export	FG01434



Specifications

- Safety certifications: CSA-E65 listed, tested under UL6500 standards (pending)
- Dimensions: 17 1/4" W x 4" H x 15" D including connection terminals with no wires attached (43.8cm W x 10.2cm H x 38.1cm D)
- 2U rack height

Warranty: Two-year limited

Shipping weight: 25 lbs. (11.3 Kg)



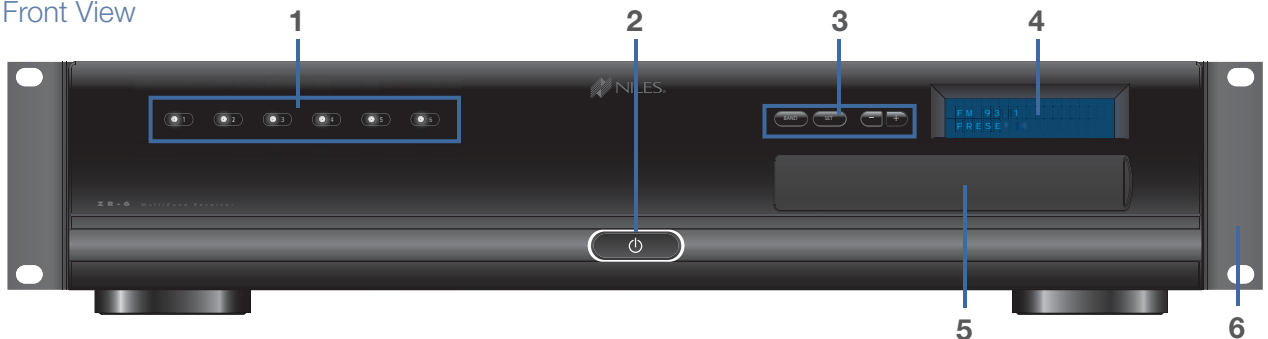
International CES Innovations
2008 Design & Engineering
Award honoree in the Multi-Room
Audio/Video product category

Features

- Distributes up to six sources to six zones to create a whole-house audio system
- Plug-and-play iPod integration provides simplified connection and operation, including metadata with the Solo®-6 MD keypad, of this popular music source
- Built-in AM/FM tuner with 20 preset stations for each band provides out-of-the-box radio operation and eliminates the need for an additional component, connections, and programming
- Five external audio inputs provide connections for both audio and sync
- Built-in 12-channel digital amplifier delivers 50 watts per zone (25 watts per channel) to each of the six zones
- Integrates easily with Niles VS-6 component video switcher to create a distributed audio/video system
- RS-232 and discrete IR control for each of the six zones provides seamless integration with external remote control systems
- IR storage includes two library pages for accessing secondary system commands such as lighting, drapery, including the commands for the VS-6 component video switcher
- System configuration via front panel controls and display for quick and intuitive system set up (programs five additional sources in under 15 minutes)
- Front panel RS-232 connection enables system programming restoration and back-up via PC
- Pre-amplifier outputs for zones 4, 5, and 6 make it easy to add additional power with Niles Systems Integration Amplifiers®
- Six IR flasher outputs (one is global and 2 through 6 are source specific)
- A fifth audio input is available if an iPod is not connected
- Four 12V control outputs for voltage triggers (1 is global, and 4, 5, and 6 are zone specific)
- Paging input accommodates voice announcements from a telephone system and/or doorbell tones from the optional Niles DBI-1 interface
- Independent bass, treble, and variable loudness tone controls enable the customization of each zone to optimize performance
- Rugged, 2U aluminum front panel and included mounting ears make rack mounting secure while taking up minimal space
- System architecture expands to 18 zones via two additional ZR-6 MultiZone Receivers
- The ZR-6 MultiZone Receiver supports up to three keypads in each zone, ideal for large rooms (keypads sold separately; requires ZR-KE Keypad Expander)
- Zone linking enables the ZR-6 MultiZone Receiver to permanently group up to six zones per chassis: turn-on, source selection, and turn-off all work in unison, yet each zone has independent volume, bass, treble, variable loudness control and paging
- Phantom home theater zone enables source sharing with independent home theater system via global IR input
- Gold-plated RCA audio jacks
- Removable speaker connectors accommodate up to 14-gauge wire
- 75 ohm FM antenna connection, 300 ohm AM antenna connection (AM and FM antennas included)
- RJ-45 keypad connections use T-568A CAT-5 termination
- Removable two-wire IEC power cord
- Field upgradeable firmware via RS-232 connection

PARTS GUIDE
ZR-6 MultiZone Receiver

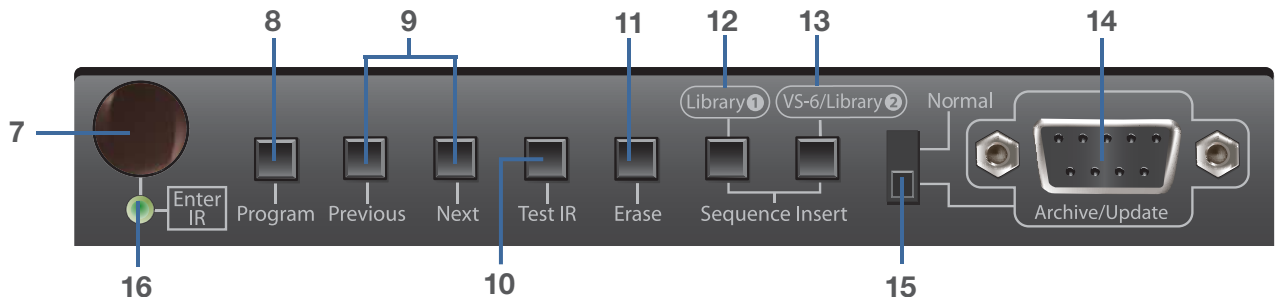
Front View



- 1) **LED Zone ON/OFF Indicators** Individually illuminate when the corresponding zone is active, turn off when the zone is off, and provide diagnostic information about the zone.
- 2) **Main Power Switch** Push-button, latching switch turns the main power to the ZR-6 MultiZone Receiver ON and OFF.
- 3) **Band, Set, -, and + Push Buttons** Used to operate the AM/FM tuner, set favorite preset stations into memory, and perform system configuration operations.
- 4) **Backlit LCD Display** Two-line, 16-character, LCD display shows current tuner preset, band, programming, diagnostics information and menus during configuration.
- 5) **Programming Panel** Behind a removable cover are the installer programming buttons and connections.
- 6) **Rack Mount Ears** Two metal rack-mount ears are included and can be attached for installing the ZR-6 MultiZone Receiver into a professional rack.

ZR-6 MultiZone Receiver

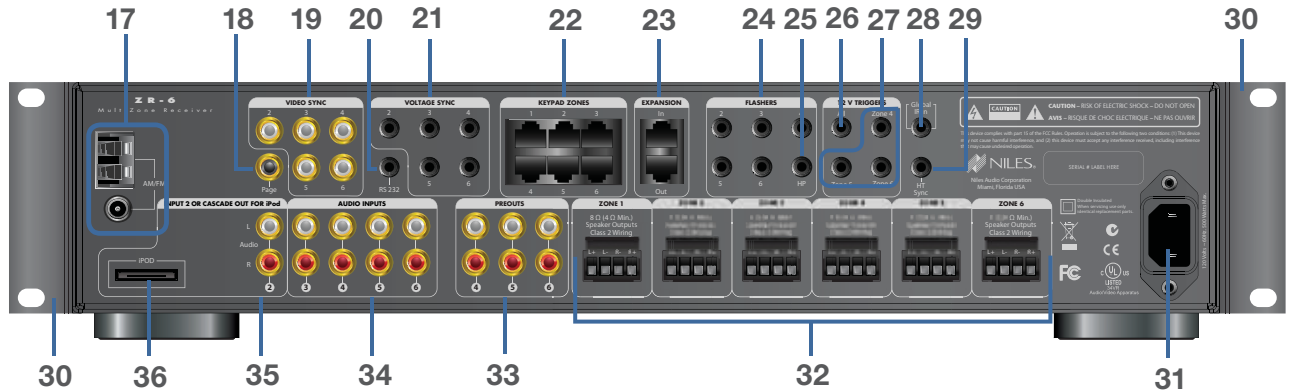
Programming Panel



- 7) **IR Receiver** Receives the IR codes from hand-held remotes during programming.
- 8) **Program Button** Enters and exits ZR-6 MultiZone Receiver IR programming and editing mode.
- 9) **Previous and Next Buttons** Step forward and backward through each part of the programming process.
- 10) **Test IR Button** Transmits the last-learned IR code out of its respective IR output to verify correct operation.
- 11) **Erase Button** Erases various parts of the ZR-6 MultiZone Receiver memory.
- 12) **Sequence Insert (Library 1)** Inserts the stored IR commands from Library 1 into sequences to control source devices.
- 13) **Sequence Insert (VS-6/Library 2)** Inserts pre-loaded VS-6 High Definition Video Switcher IR commands and/or additional stored IR commands from Library 2 into sequences to control source devices.
- 14) **Archive/Update Port** Used to connect a computer for archiving and restoring previously saved ZR-6 MultiZone Receiver configurations and or updating the firmware of the ZR-6 MultiZone Receiver and connected keypads.
- 15) **Programming Slide Switch** Disables the rear RS-232 connection and activates the front RS-232 connection for archiving, setup, and firmware updates.
- 16) **IR Status LED** Indicates reception of IR codes by the ZR-6 MultiZone Receiver.

PARTS GUIDE
ZR-6 MultiZone Receiver

Rear View



- 17) **AM/FM Antenna Connections** For connecting the supplied AM and FM antennas.
- 18) **Paging Input** Connects to a compatible telephone system, intercom system and/or a doorbell.
- 19) **Video Sync Inputs** Determines on/off status of connected video device by detecting presence of a video signal.
- 20) **RS-232 Port** A 3.5 mm stereo mini-jack is used to provide RS-232 serial communication so the ZR-6 MultiZone Receiver can be monitored and controlled by an external control system.
- 21) **Voltage Sync Inputs** Determine the on/off status of connected source devices by detecting the presence of a trigger voltage between 3V and 20V, AC or DC.
- 22) **Keypad Ports** Six zone-specific RJ-45 jacks are used to connect the keypads with CAT-5 cable.
- 23) **Expansion Ports** Two RJ-45 jacks are used to connect the Master MultiZone Receiver to the Slave MultiZone Receivers using CAT-5 cable.
- 24) **MicroFlasher® Outputs** Five 3.5 mm stereo mini-jacks are used to connect the optional Niles MicroFlashers (FG01019) to control the source devices.
- 25) **High Output Flasher** A single 3.5 mm mini-jack is used to connect an optional Niles IRB1 High Output IR Flasher (FG01023) to control multiple devices from a single flasher.
- 26) **Global 12V Trigger Output** A single 3.5 mm mini-jack is used to provide a 12V DC trigger to automate the power turn-on and turn-off of connected devices such as a Niles AC-3 Voltage-triggered AC Power Strip (FG00242).
- 27) **Zone Four, Five, and Six 12V Trigger Outputs** Three 3.5 mm mini-jacks are used to provide a 12V DC trigger to automate the power turn-on and turn-off of zone-specific connected devices such as Niles System Integration Amplifiers.
- 28) **Global IR Input** A single 3.5 mm mini-jack is used to provide an input connection for IR commands from an external control system such as the Niles iC2™ Home Theater Automation System (FG01342).
- 29) **HT (Home Theater) Sync Input** A single 3.5 mm mini-jack is used to detect voltage from a connected home theater system to let the ZR-6 MultiZone Receiver know when the home theater is on.
- 30) **Rack Mount Ears** Two metal rack-mount ears are included and can be attached for installing the ZR-6 MultiZone Receiver into a professional rack.
- 31) **IEC Power Cable Connector** Two-pin connector for the removable power cord.
- 32) **Loudspeaker Terminals** A removable terminal is provided for each of the six zones. Accepts speaker wire up to 14 AWG.
- 33) **Zone Four, Five, and Six Preamplifier Outputs** Three pairs of stereo RCA jacks are used to connect external power amplifiers. Can be switched between fixed or variable output.
- 34) **Source Audio Inputs** Four pairs of stereo RCA jacks are used to connect stereo audio to Sources 3-6.
- 35) **Source 2 Audio Input/iPod Cascade Audio Output** A pair of stereo RCA jacks are used to provide an analog input for a Source 2 external device when an iPod is not being used with the system. With an iPod, these jacks become cascade audio outputs to route the iPod's audio signal to a Slave ZR-6 MultiZone Receiver.
- 36) **iPod Connector** A 30-pin connector is used to provide a connection for an iPod digital music player as Source 2.

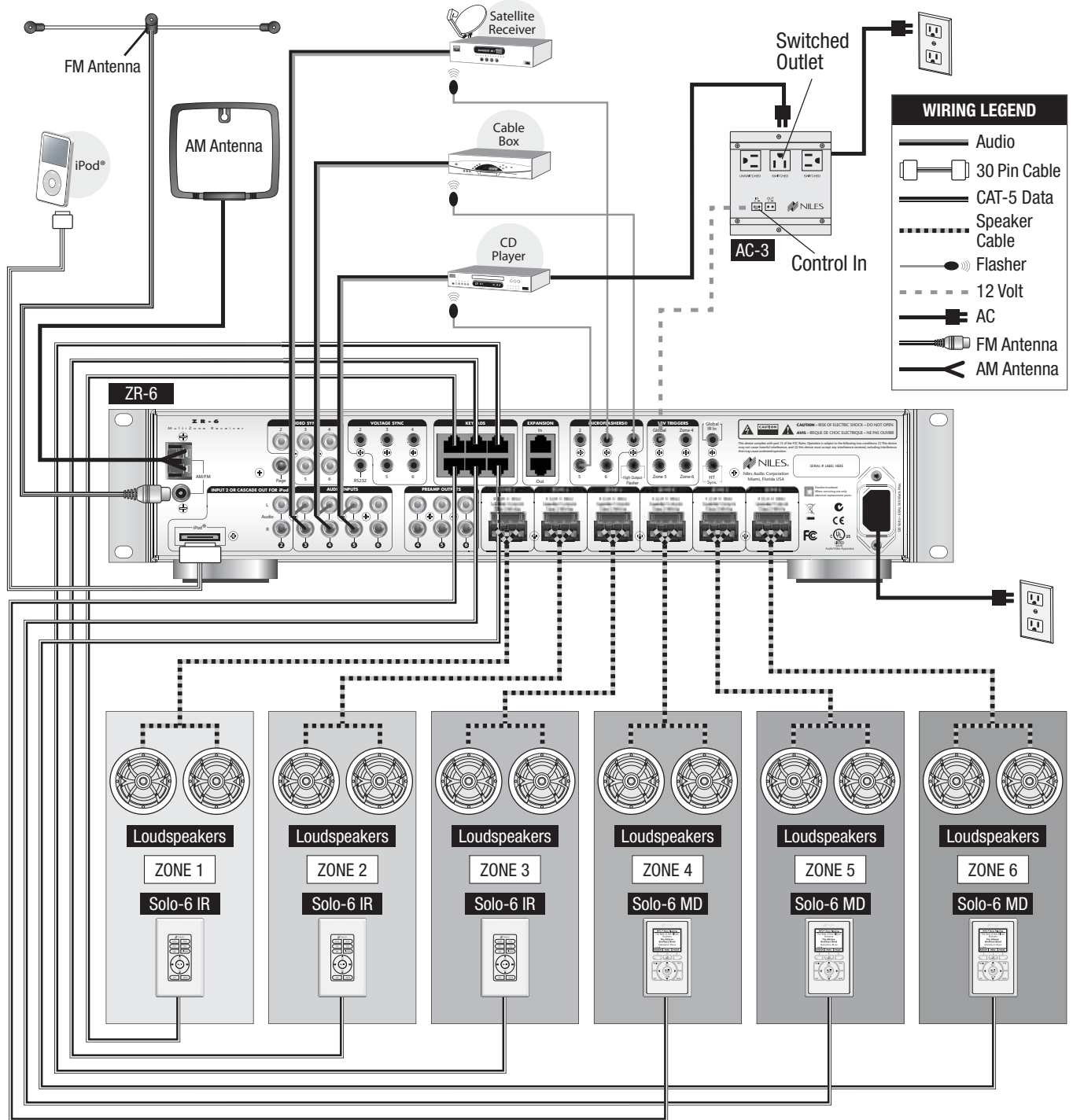
PARTS GUIDE (continued)
Hand-Held Learning Remote Control

- 1) **Power Button** Turns the selected source device on or off.
- 2) **Source Select Buttons** Turn the zone on and play the selected source device.
- 3) **Transport Buttons** Used to skip backward, rewind, fast forward, skip forward, stop, pause, or play tracks from the selected source.
- 4) **MENU Button** Displays a menu for the selected source device.
- 5) **Guide Button** Displays the program guide for the selected source device.
- 6) **Vol +/- and MUTE Buttons** Raise and lower the volume level or use the mute button to completely mute the sound.
- 7) **Extended Function Buttons** Provide additional functionality for advanced features, menus, and guides.
- 8) **Setup Button** Used when configuring the R-8L remote.
- 9) **TV/AUX Button** Provides control of a local television and an additional local source.
- 10) **LIST Button** Displays information from source devices that support this function.
- 11) **INFO Button** Displays the current channel and program information from source devices that support this function.
- 12) **Menu Cursor Buttons** Move the cursor in selected source device menu screens. Press OK to choose the highlighted menu option or to toggle between AM and FM tuner bands.
- 13) **Channel Select and LAST Buttons** Select the next or previous channel and select the next or previous chapter on some DVD players. Press the Last button to recall the last-viewed channel.
- 14) **Exit Button** Exits the selected source device's menu, guide, or program without making a menu selection.
- 15) **DVR Special Function Buttons** Special menu function buttons for use with DVRs.
- 16) **Direct Access and ENTER Buttons** Directly enter channels (for example: 09 or 31). Press the Enter button to send channel number entry on certain TV models.



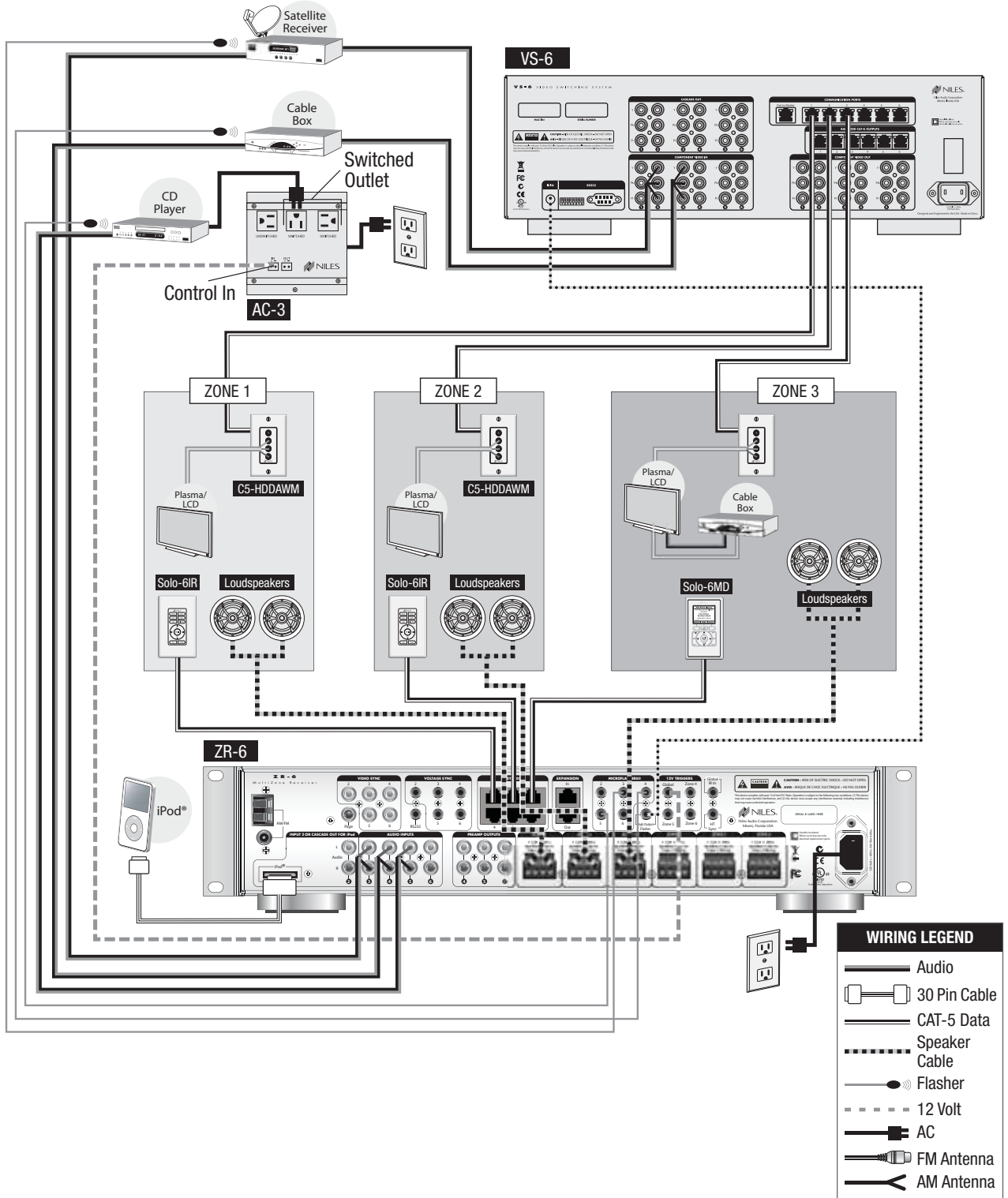
System Wiring Diagrams

STAND-ALONE ZR-6 MULTIZONE RECEIVER



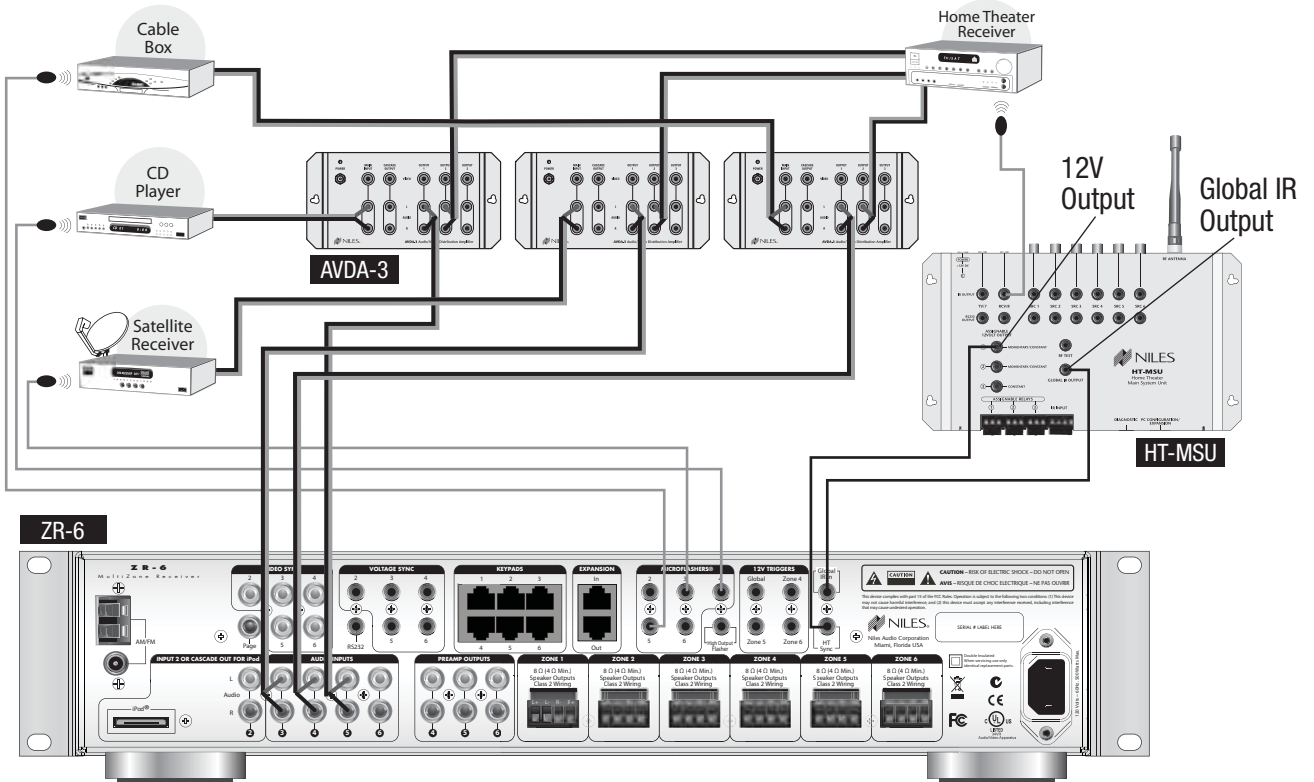
System Wiring Diagrams






INCLUDING DISTRIBUTED VIDEO WITH A NILES VS-6 HIGH DEFINITION COMPONENT VIDEO SWITCHER



System Wiring Diagrams

ZR-6 MULTIZONE RECEIVER INTEGRATED WITH A HOME THEATER SYSTEM



WIRING LEGEND	
	Audio
	HD Video
	Flasher
	12 Volt
	AC